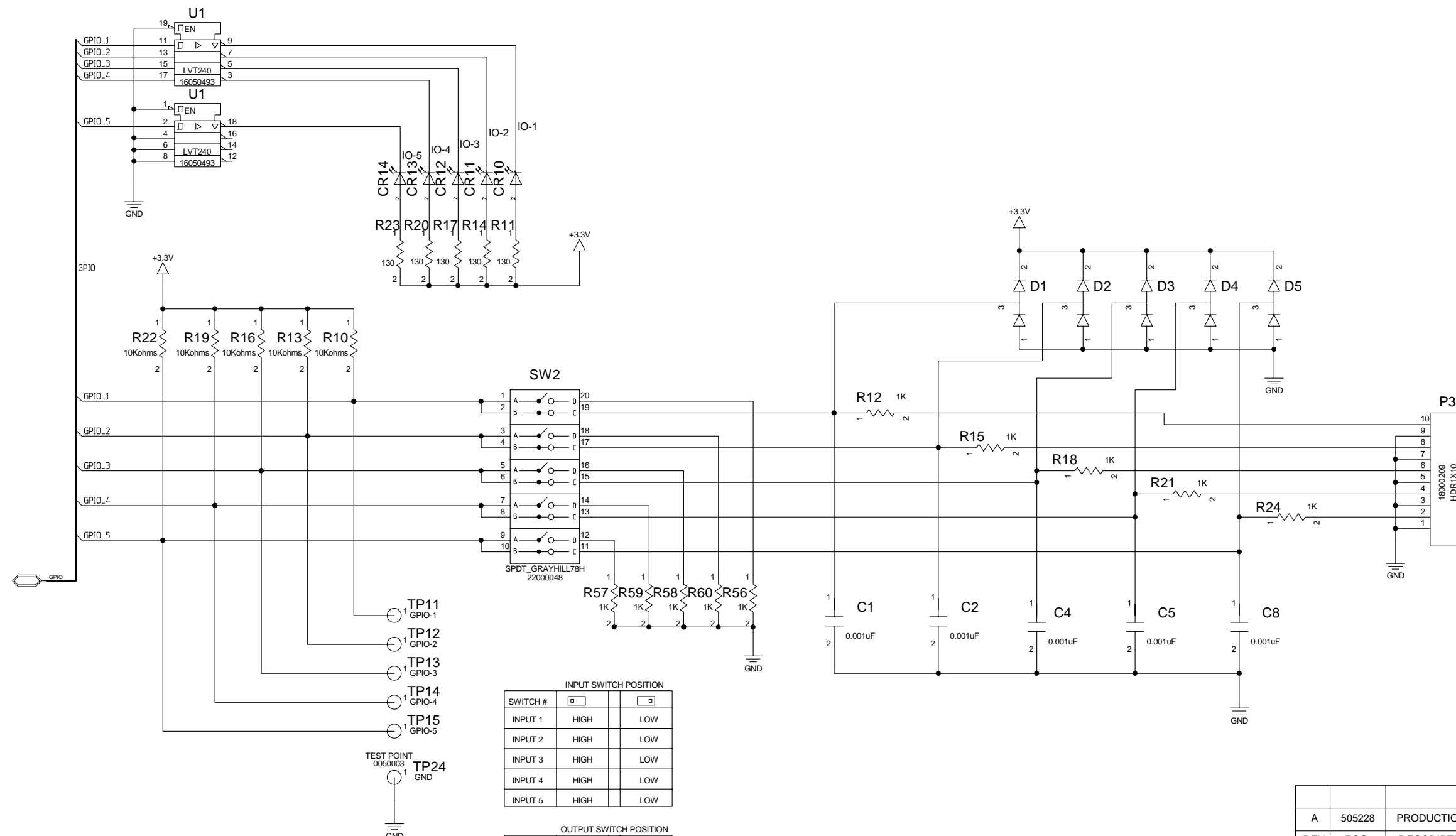


SWITCH POSITION

SWITCH #	Position 1	Position 2
INPUT 1	DCD	GPIO-1
INPUT 2	CTS	GPIO-2
INPUT 3	DSR	GPIO-3
INPUT 4	RTS	GPIO-4
INPUT 5	DTR	GPIO-5

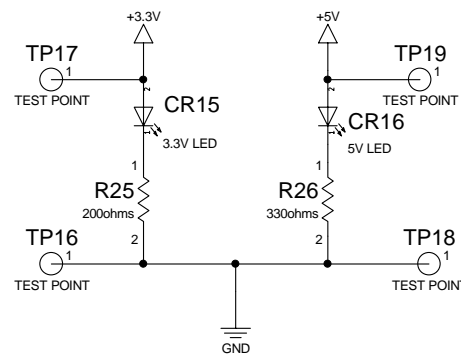
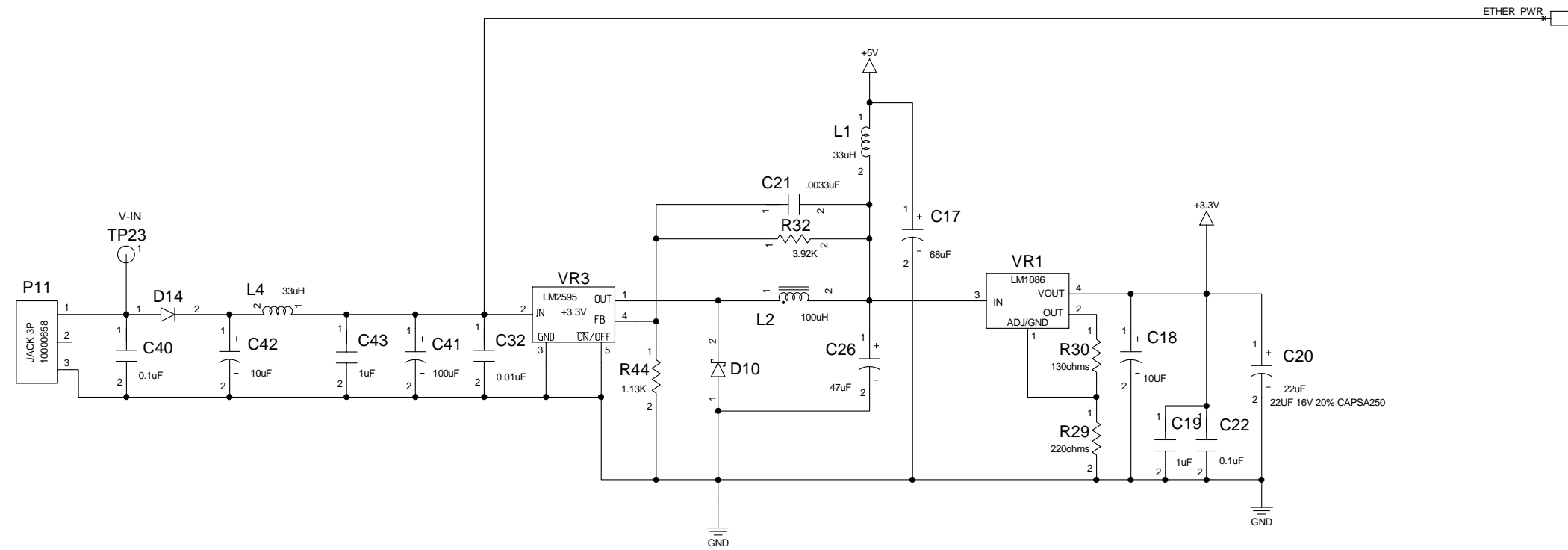
A	505228	PRODUCTION BUILD				
REV	ECO	DESCRIPTION OF CHANGE	BY	CKD	APPR	DATE
APPROVALS	DATE	<h1 style="text-align: center;">Digi</h1> <h2 style="text-align: center;">Digi Connect ME Dev Board</h2>				
DESIGNED	10/07/2003					
DRAWN	10/07/2003					
CHECKED	10/07/2003					
ENGINEER	10/07/2003					
10:46:30 AM		SIZE	PART NO.		REV	
DO NOT SCALE DRAWING		D	30006001-02		A	
		SCALE: NTS	VERIBEST	SHEET 01 of 04		



INPUT SWITCH POSITION		
SWITCH #	<input type="checkbox"/>	<input type="checkbox"/>
INPUT 1	HIGH	LOW
INPUT 2	HIGH	LOW
INPUT 3	HIGH	LOW
INPUT 4	HIGH	LOW
INPUT 5	HIGH	LOW

OUTPUT SWITCH POSITION		
SWITCH #	<input type="checkbox"/>	<input type="checkbox"/>
OUTPUT 1	ENABLE	DISABLE
OUTPUT 2	ENABLE	DISABLE
OUTPUT 3	ENABLE	DISABLE
OUTPUT 4	ENABLE	DISABLE
OUTPUT 5	ENABLE	DISABLE

A	505228	PRODUCTION BUILD				
REV	ECO	DESCRIPTION OF CHANGE	BY	CKD	APPR	DATE
APPROVALS	DATE	<h1>Digi</h1> <p>TITLE: Digi Connect ME Dev Board</p> <p>SIZE: <b>D</b> PART NO. <b>30006001-02</b> REV <b>A</b></p>				
DESIGNED	10/07/2003					
DRAWN	10/07/2003					
CHECKED	10/07/2003					
ENGINEER	10/07/2003					
10:42:18 AM		SCALE: NTS	VERIBEST	SHEET 02 of 04		
DO NOT SCALE DRAWING						



A	505228	PRODUCTION BUILD				
REV	ECO	DESCRIPTION OF CHANGE	BY	CKD	APPR	DATE
APPROVALS		DATE	<h1>Digi</h1> <p>TITLE: Digi Connect ME Dev Board</p> <p>SIZE: <b>D</b> PART NO. <b>30006001-02</b> REV <b>A</b></p>			
DESIGNED		10/07/2003				
DRAWN		10/07/2003				
CHECKED		10/07/2003				
ENGINEER		10/07/2003				
10:42:18 AM			DO NOT SCALE DRAWING			
SCALE: NTS			VERIBEST		SHEET 03 of 04	

